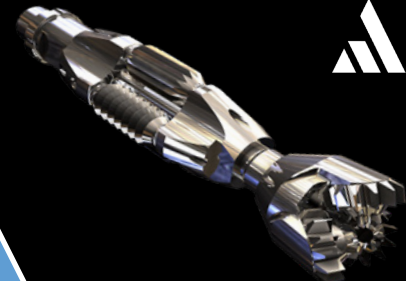
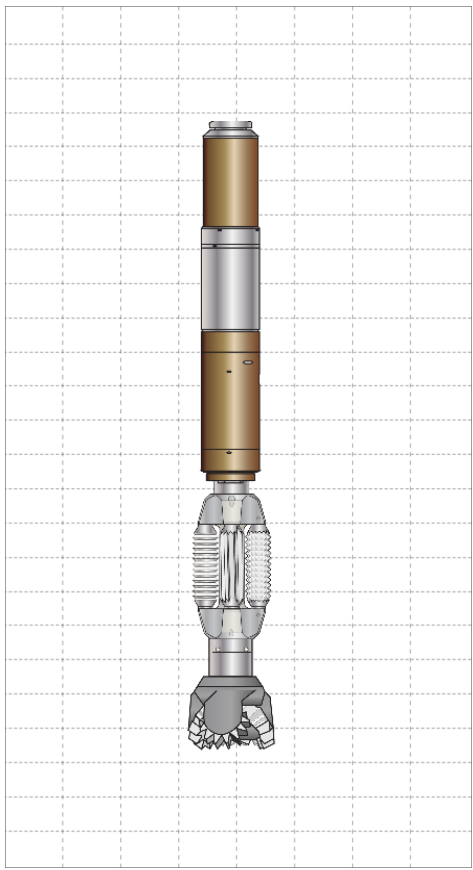


# PRECISION MECHANICAL APPLICATIONS PRECISIONDEBRIS MILL



MAKING INTERVENTION  
**SMARTER**

The **PrecisionDebris Mill** is used to remove debris preventing access to completion targets, causing internal diameter changes, or choking production/injection. It is run in combination with **PowerTrac**® for anchoring, coupled with a Direct Drive Rotation (DDR) device to generate the required rotational force. This service is designed without debris collection, with the debris either falling to the bottom of the well for collection in the rathole, or circulated out for surface collection.



## APPLICATIONS

- Removal of a wide range of wellbore debris e.g. scale, asphaltenes, cement stringers, rust
- Milling out glass plugs

## FEATURES

- E-Line conveyed, powered device
- Combinable with **PowerTrac**® for conveyance
- Real-time monitoring of key milling parameters
- Can be run with a Hole Opener to achieve precise and smooth milling
- Optional Shock Absorber and mechanical Straight Pull Release Tool

## BENEFITS

- Optimised milling speed, reduced risk of stalling
- Precise, cost effective and low risk wellbore cleanout service
- Light on logistics, footprint, personnel and time

SERVICE NAME	PRECISIONDEBRISMILL 212	PRECISIONDEBRISMILL 313
Tool body outer diameter <sup>1</sup>	2.500 inches / 63.5 mm	3.125 inches / 79.4 mm
Typical bit types used	Rock Bit	Rock Bit
Recommended minimum Bit size OD <sup>2,3</sup>	≥ 2.625 inches	≥ 3.250 inches
Standard configuration total length <sup>4,5</sup>	8 ft. / 2.44 m	8.7 ft. / 2.65 m
Pressure rating	20,000 psi / 1,379 bar	20,000 psi / 1,379 bar
Temperature rating	177°C / 350°F	177°C / 350°F
Deviations	All - 0° (vertical) to horizontal	All - 0° (vertical) to horizontal
Design Torque	≤ 110 Nm	≤ 110 Nm
Design RPM	≤ 180 rpm	≤ 180 rpm

<sup>1</sup> Tool OD only (not bit OD).

<sup>2</sup> Based on API standard designation

<sup>3</sup> Bit OD greater than tool OD. Recommended bit OD with 0.0625" radial clearance between tool and bit

<sup>4</sup> Standard configuration for 2.5" and 3.125" OD direct drive rotational adapters respectively.

<sup>5</sup> Length of Direct Drive Rotation. Does not include length of Rockbit, **PowerTrac**<sup>®</sup> and accessories.