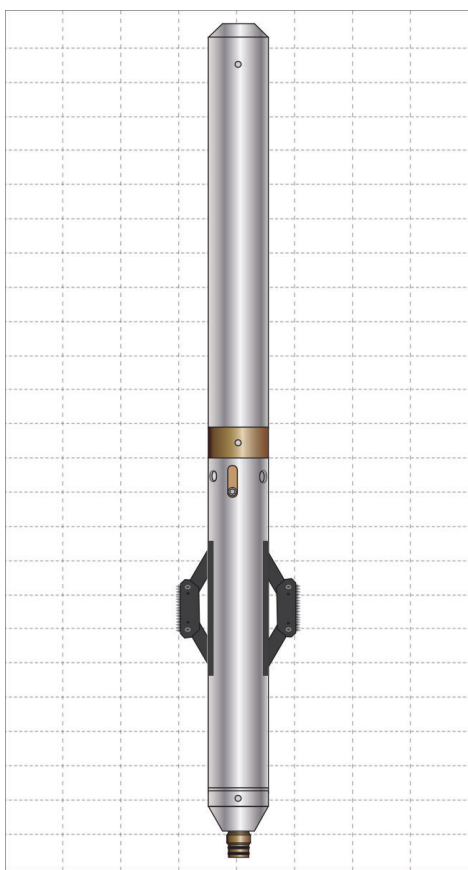


PRECISION MECHANICAL APPLICATIONS INSTRUMENT DYNAMIC CONTROLLER



MAKING INTERVENTION
SMARTER

The Instrument Dynamic Controller (IDC) is designed to prevent a **PowerTrac**[®] conveyed toolstring from moving when stopped in a wellbore with deviation greater than 90 degrees i.e. uphill. It is also used to prevent rotation of a tool string which is being orientated. The IDC is placed above the **PowerTrac**[®] and opened when on depth. The high grip pads then provide the additional friction that prevents uphole and downhole movement or angular rotation.



APPLICATIONS

- Tractor conveyance in wells with deviation greater than 90 degrees
- Orientation of perforating guns

FEATURES

- Can be fitted with different profile contact pads for different casing diameters
- Simple open and close function via multi-purpose panel
- Shear pin overpull release to close arms in case of motor failure

BENEFITS

- Conveyance and data quality assurance in wells with deviation greater than 90 degrees
- Improved operational efficiency

Service Name	IDC
Tool body outer diameter	3.125 inches/79.4 mm
Length	3.54 ft./1.08m
Minimum restriction ID	3.50 inches/88.9mm
Operating range	3.5 – 8.8 inches/88.9 – 223.5mm
Pressure rating	15,000 psi/1,034 bar
Temperature rating	177 °C/350 °F
Maximum torque	150 ft. lb/200Nm