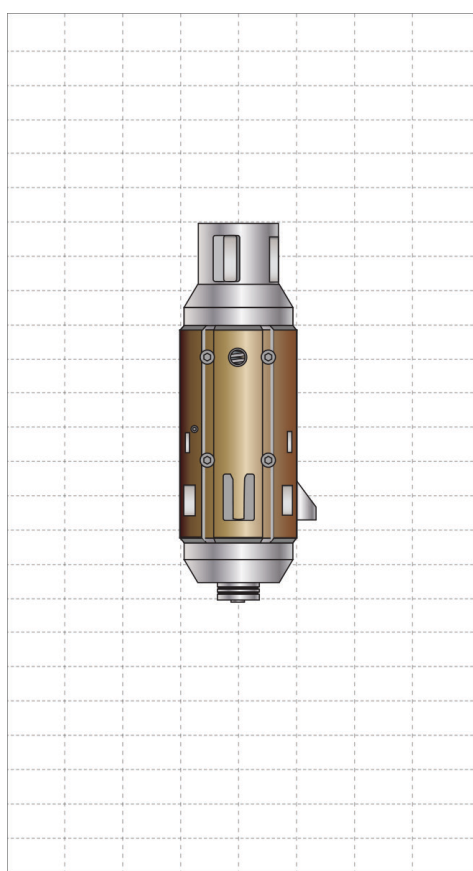


PRECISION MECHANICAL APPLICATIONS ORIENTATION SUB



MAKING INTERVENTION
SMARTER

The Orientation Sub orients the **PowerTrac**® to prevent tractor wheel hold up in the pocket of a side pocket mandrel (SPM). The sub, attached at the bottom of the tractor assembly, has a spring-loaded finger adjusted at a 45-degree angle between the tractor wheels. The finger locates in the orientation groove of the SPM and orients the tractor wheels.



APPLICATIONS

- Facilitates **PowerTrac**® conveyance through SPM

FEATURES

- Orients the tractor so that the wheels pass outside of the side pocket of a SPM during conveyance

BENEFITS

- Prevents tractor wheel hold up in SPMs
- Reduces equipment in the well as it eliminates the need for tandem tractors

Service Name	Orientation Sub 371	Orientation Sub 448
Tool body outer diameter	3.71 inches / 94.2mm	4.480 inches / 113.8mm
Length	1.08 ft./0.33m	1.14 ft./0.45m
Minimum restriction ID	3.84 inches / 97.5mm	4.61 inches / 117.1 mm
Pressure rating	20,000 psi / 1,397 bar	20,000 psi / 1,397 bar
Temperature rating	177 °C/350 °F	177 °C / 350 °F
Electrical feed through	Yes	Yes