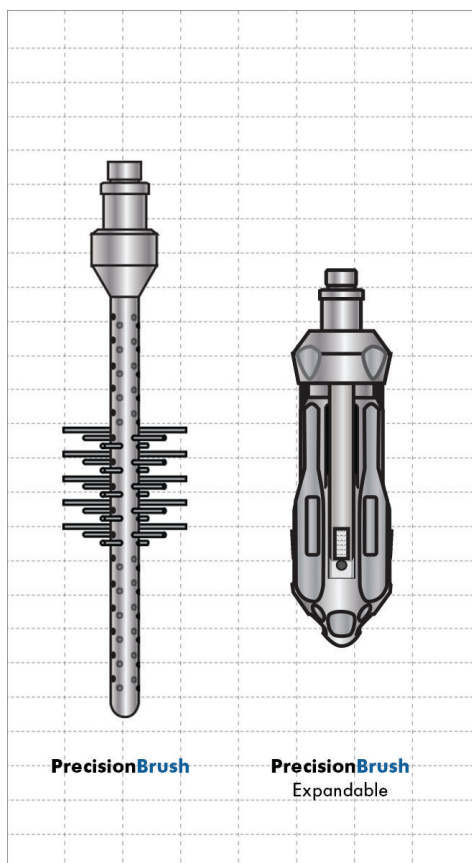


PRECISION MECHANICAL APPLICATIONS

PRECISIONBRUSH

MAKING INTERVENTION
SMARTER

The **PrecisionBrush** is used to clean tubing and completion components by removing thin deposits of rust and scale that could affect sealing integrity or mechanical functionality. It is run in combination with **PowerTrac**[®] for anchoring and conveyance, coupled with a Direct Drive Rotation (DDR) device to generate the required rotational force.



APPLICATIONS

- Removal of debris affecting seal integrity
- Cleaning plug setting areas
- Brushing of downhole safety valve flow tube cavities and nipple profiles
- Removal of rust, scale, wax etc. from tubing seal bores and profiles
- Preventive maintenance in scale environment

FEATURES

- E-Line conveyed, powered device
- Customisable brush bottom hole assembly (BHA)
- Expandable brush BHA elements expand PrecisionBrush on activation and retract on deactivation

BENEFITS

- Cost effective preventive maintenance and repair option compared to coiled tubing, hydraulic workover units or workover rigs
- Precise, low-risk wellbore cleanout service
- Expandable brush passes through restrictions and expands to the profile to be cleaned
- Light on logistics, footprint, personnel and time

SERVICE NAME	PRECISIONBRUSH 225	PRECISIONBRUSH 315	PRECISIONBRUSH EXPANDABLE 410	PRECISIONBRUSH EXPANDABLE 520
Tool body outer diameter ¹	2.250 inches / 57.2 mm	3.150 inches / 80.0 mm	4.110 inches / 104.4 mm	5.197 inches / 132 mm
Brush diameter	Customisable	Customisable	N/A	N/A
Length	3.3 ft. / 1.0 m	3.3 ft / 1.0 m	1.4 ft / 0.42 m	1.6 ft / 0.49 m
Minimum ID	2.375 inches / 60.3 mm	3.275 inches / 83.2 mm	4.235 inches / 107.64 mm	5.322 inches / 135.2 mm
Maximum ID / Expansion	Customisable	Customisable	5.29 in / 134.4 mm	6.33 in / 160.8 mm
System Pressure Rating	15,000 psi / 1,034 bar	15,000 psi / 1,034 bar	15,000 psi / 1,034 bar	15,000 psi / 1,034 bar
System Temperature Rating	177°C / 350°F	177°C / 350°F	177°C / 350°F	177°C / 350°F
Operational torque ²	≤ 110 Nm	≤ 110 Nm	≤ 110 Nm	≤ 110 Nm
Operational RPM ²	≤ 180 rpm	≤ 180 rpm	≤ 180 rpm	≤ 180 rpm

¹ Tool OD only (not brush OD).

² Standard output. Customisable down gearing possible with a 3:1 gear.

³ Brush assembly length depending on configuration. Length excludes **PowerTrac**[®] and other system components.