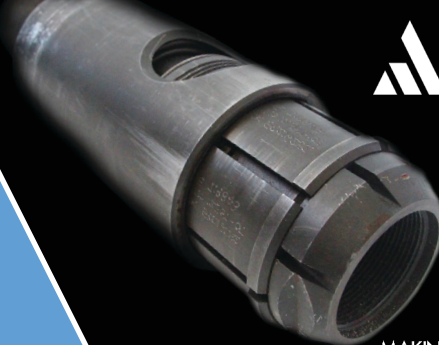


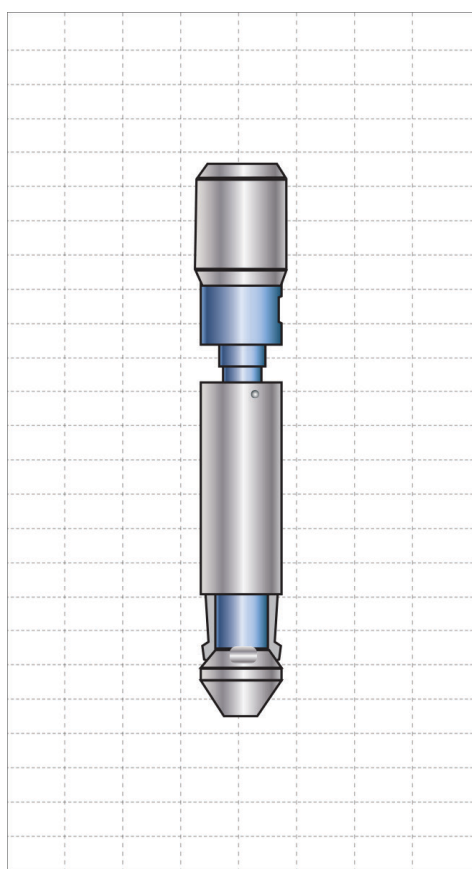
PRECISION MECHANICAL APPLICATIONS

PRECISIONGS



MAKING INTERVENTION
SMARTER

The **PrecisionGS** is used in combination with the **PrecisionStroker** to install completion components eliminating the need for jarring. It consists of a standard GS tool and a release sleeve arrangement that replaces the GS tool shear pin.



APPLICATIONS

- Setting Junk Catcher on installed retrievable bridge plug
- Setting blank pipes (spacers) on stackable straddle systems

FEATURES

- Operated by **PrecisionStroker**
- Stroke in to activate GS and stroke out to release
- Combinable with **PowerTrac®** for conveyance

BENEFITS

- Eliminates jarring action hence avoiding potential damage to installed bridge plugs or completion equipment
- Improved reliability and operational efficiency in highly deviated wells

SERVICE NAME	PRECISIONGS
OD release sleeve / Centraliser for 4" GS ¹	4.10 inches / 104.1mm
Length of release sub	10.63 inches / 270mm
Pressure rating	15,000 psi / 1,034 bar
Temperature rating	177°C / 350°F

¹ Other sizes available on request